

For single or double acting actuators
Closed-Crossover design
 Convertible for 3/2 or 5/2 function by
 means of interface adapter plates (included)
 Locking manual override

Technical data

Medium:

Compressed air filtered, lubricated
 or non-lubricated.

Operating pressure:

29 to 116 psig (2 to 8 bar)

Mounting position:

Optional

Temperature:

2°F to 122°F (-5°C to 50°C)

Please consult our technical service
 for use below 6°F (2°C)

Materials

Housing:

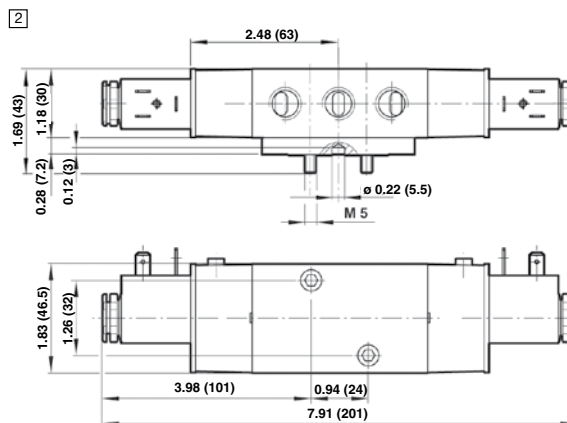
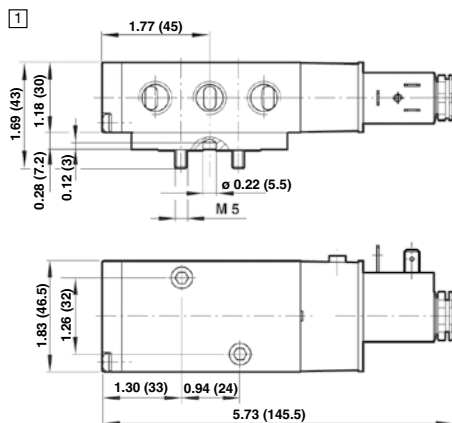
Aluminium anodized

Pilot flange:

Plastic (PBT)

Seals:

NBR (NBR)





* Dimensions in inches (mm)

Ordering information

Model No. 24 VDC	Model No. 120 VAC	Port size 1, 3, 5	2, 4	Function	Flow Cv (l/min)	Drawing No.	Electrical connection
9730000305002400	9730000305023050	G1/4	Flange	5/2, 3/2 Sol/Spring	1.12 (1300)	1	DIN EN 175301-803 Form B
9730000303602400	9730000303623050	G1/4	Flange	5/2, 3/2 Sol/Spring	1.12 (1300)	1	DIN EN 175301-803 Form A
9731000305002400	9731000305023050	G1/4	Flange	5/2, 3/2 Sol/Sol	1.12 (1300)	2	DIN EN 175301-803 Form B
9731000303602400	9731000303623050	G1/4	Flange	5/2, 3/2 Sol/Sol	1.12 (1300)	2	DIN EN 175301-803 Form A

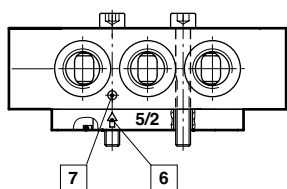
Circuit diagrams

	Power Consumption		Protection class	Temperatures ambient/fluid	Electrical connection	Separate coil code	Coil code
	24 VDC (W)	230 VAC (VA)					
	1.7		IP 65 (with connector)	-40°F to 122°F (-40°C to 50°C)	DIN EN 175301-803 Form B	0000000305002400	305002400
		4.3				0000000305023050	305023050
	1.6		IP 65 (with connector)	-40°F to 122°F (-40°C to 50°C)	DIN EN 175301-803 Form A	0000000303602400	0000000303602400
		3.5				0000000303623050	303623050

Standard voltages 24 VDC, 230 VAC. Other voltages on request.
Connector is not included in delivery; Required connectors 068003 form B or 0570275 form A

Conversion instructions

5/2 way function (original mode of supply)



3/2 or 5/2 way function can be achieved just by swapping enclosed adaptor plates. Make sure Marker and Arrow match as shown on above drawing. Original mode of supply: 5/2 function.

/2 way function

-  Arrow
-  Marker

